



Effiziente Schnellmontage
in 45 Minuten einsatzbereit



Kraftvolle Tätigkeit
bis 4t Hublast



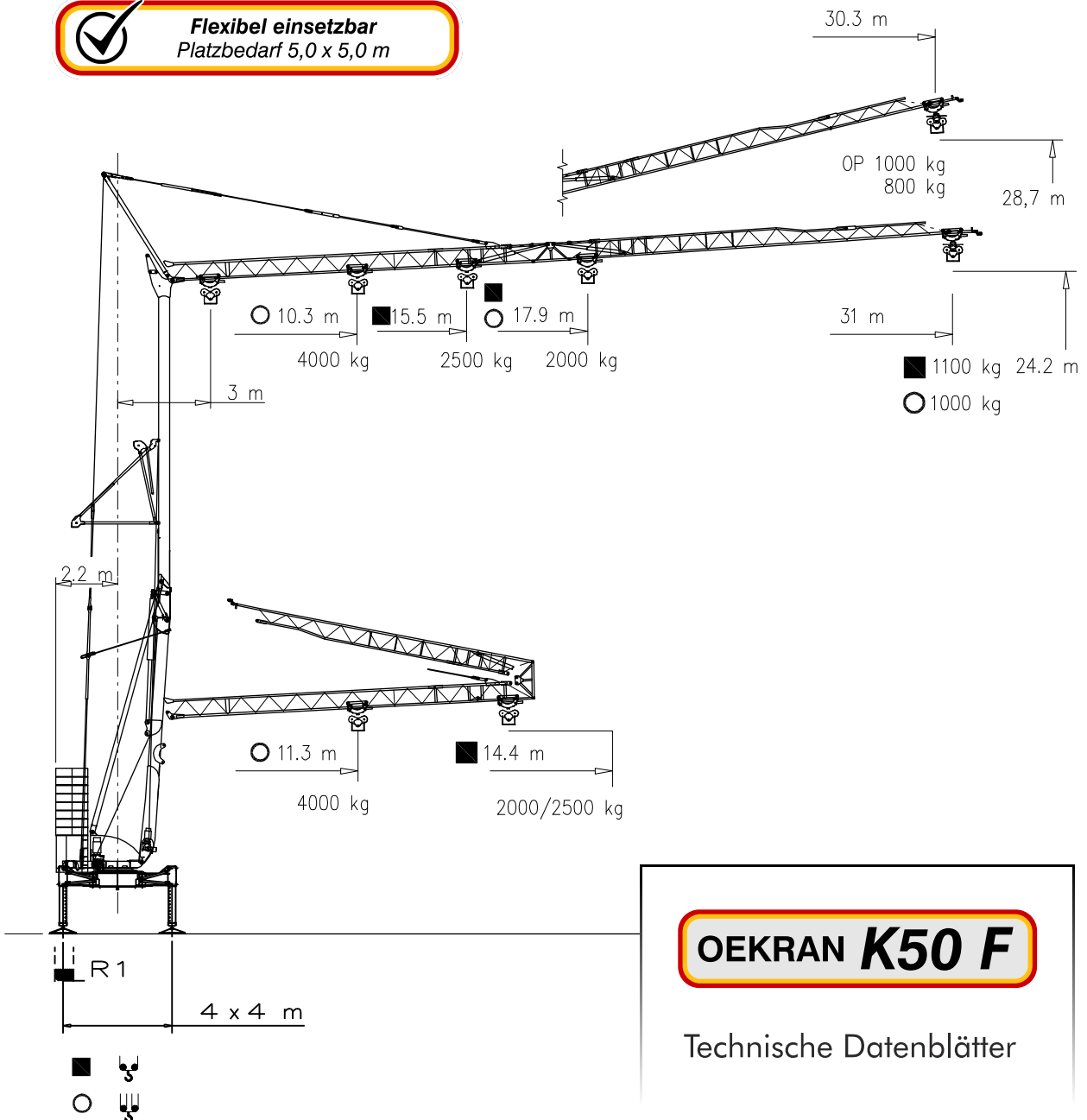
Leiser Betrieb
elektrischer Anschluss



Hohe Arbeitssicherheit
präzise Funkfernsteuerung



Flexibel einsetzbar
Platzbedarf 5,0 x 5,0 m



OEKRAN K50 F

Technische Datenblätter

HYDRAULISCHER SCHNELLMONTAGEKRAN
GRU A MONTAGGIO RAPIDO

GRUE A MONTAGE RAPIDE
GRUA DE RAPIDO MONTAJE

GRUA DE MONTAGEM RAPIDA
QUICK SELF-ERECTING CRANE

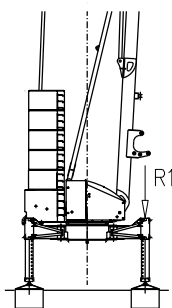


FEM 1.001 - A3

Lastkurven | Courbes de charges | Load diagrams | Curve di carico | Curvas de cargas

	<table border="1"> <tr><td>3</td><td>25</td><td>30,3</td><td>m</td></tr> <tr><td>800</td><td>800</td><td>800</td><td>kg</td></tr> </table>	3	25	30,3	m	800	800	800	kg	OP	<table border="1"> <tr><td>3</td><td>25</td><td>30,3</td><td>m</td></tr> <tr><td>1000</td><td>1000</td><td>1000</td><td>kg</td></tr> </table>	3	25	30,3	m	1000	1000	1000	kg					
3	25	30,3	m																					
800	800	800	kg																					
3	25	30,3	m																					
1000	1000	1000	kg																					
	<table border="1"> <tr><td>3</td><td>10.3</td><td>12</td><td>16</td><td>20</td><td>24</td><td>28</td><td>31</td><td>m</td></tr> <tr><td>4000</td><td>4000</td><td>3290</td><td>2290</td><td>1735</td><td>1380</td><td>1135</td><td>1000</td><td>kg</td></tr> </table>	3	10.3	12	16	20	24	28	31	m	4000	4000	3290	2290	1735	1380	1135	1000	kg					
3	10.3	12	16	20	24	28	31	m																
4000	4000	3290	2290	1735	1380	1135	1000	kg																
	<table border="1"> <tr><td>3</td><td></td><td>18.5</td><td>20</td><td>24</td><td>28</td><td>31</td><td>m</td></tr> <tr><td>2000</td><td></td><td>2000</td><td>1865</td><td>1500</td><td>1240</td><td>1100</td><td>kg</td></tr> </table>	3		18.5	20	24	28	31	m	2000		2000	1865	1500	1240	1100	kg							
	3		18.5	20	24	28	31	m																
2000		2000	1865	1500	1240	1100	kg																	
<table border="1"> <tr><td>3</td><td></td><td>15.5</td><td>16</td><td>20</td><td>24</td><td>28</td><td>31</td><td>m</td></tr> <tr><td>2500</td><td></td><td>2500</td><td>2445</td><td>1865</td><td>1500</td><td>1240</td><td>1100</td><td>kg</td></tr> </table>	3		15.5	16	20	24	28	31	m	2500		2500	2445	1865	1500	1240	1100	kg						
3		15.5	16	20	24	28	31	m																
2500		2500	2445	1865	1500	1240	1100	kg																
	<table border="1"> <tr><td>3</td><td>11.3</td><td>14.4</td><td>m</td></tr> <tr><td>4000</td><td>4000</td><td>3000</td><td>kg</td></tr> </table>	3	11.3	14.4	m	4000	4000	3000	kg		<table border="1"> <tr><td>3</td><td>14.4</td><td>m</td></tr> <tr><td>2000</td><td>2000</td><td>kg</td></tr> </table>	3	14.4	m	2000	2000	kg	<table border="1"> <tr><td>3</td><td>14.4</td><td>m</td></tr> <tr><td>2500</td><td>2500</td><td>kg</td></tr> </table>	3	14.4	m	2500	2500	kg
	3	11.3	14.4	m																				
4000	4000	3000	kg																					
3	14.4	m																						
2000	2000	kg																						
3	14.4	m																						
2500	2500	kg																						

Eckdrücke | Reactions | Réactions | Reazioni | Reacciones | Reacções



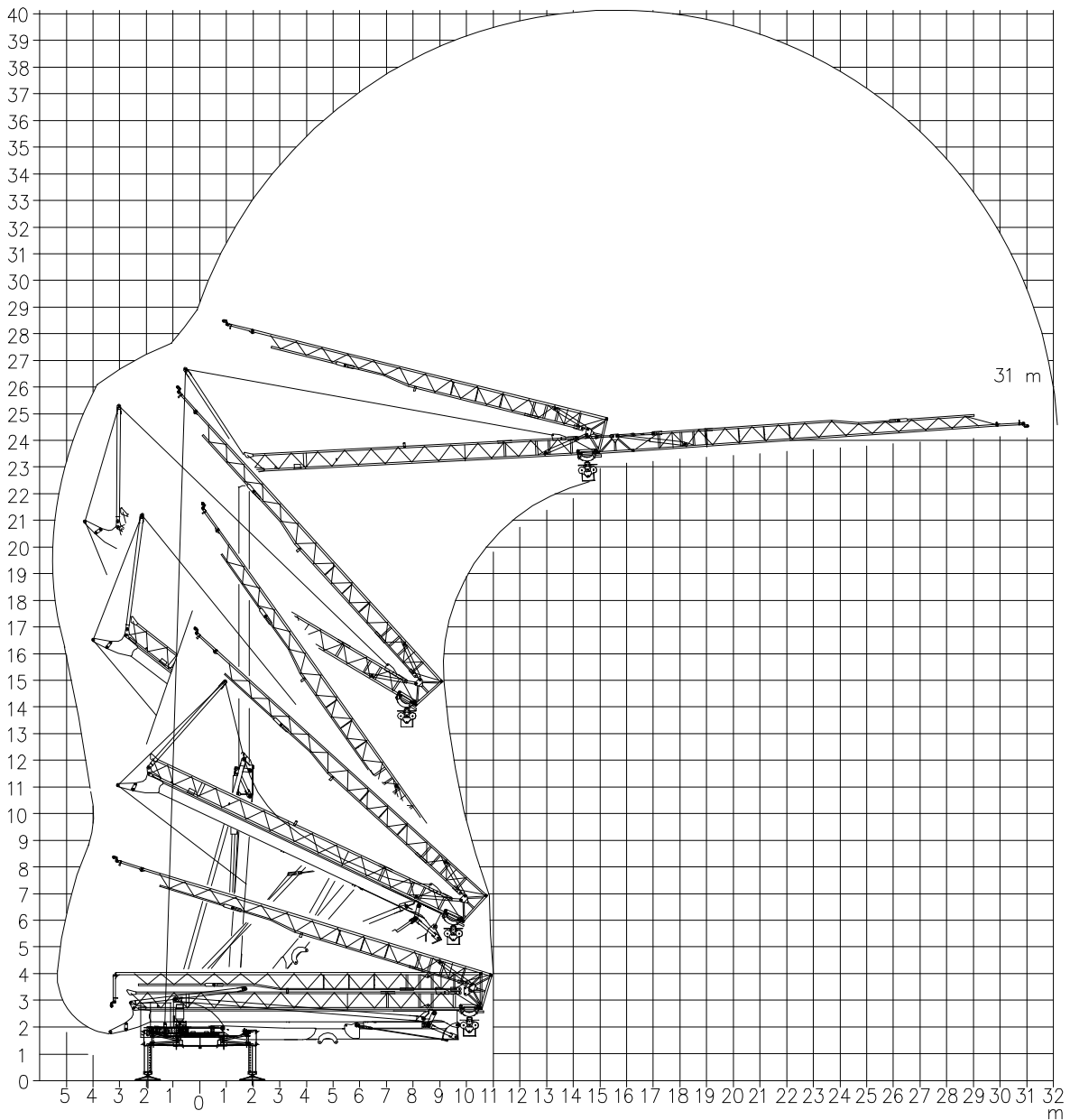
R1 ● 22 t ■ 15 t

▲ 12.7 t ○ 25.6 t

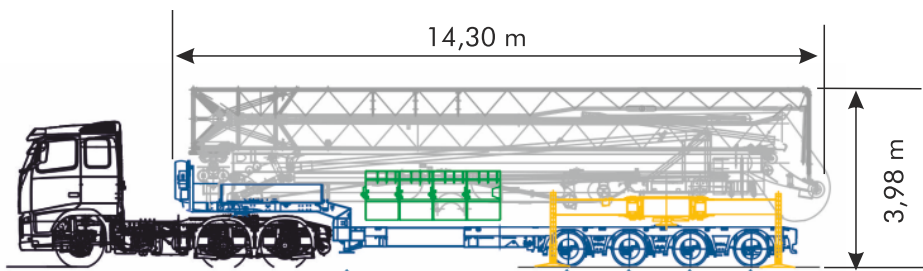
- Reaktionskräfte in Betrieb | Reazioni in servizio | Reactions in service | Réactions en service
Reacciones en servicio | Em serviço
- Reaktionskräfte außer Betrieb | Reazioni fuori servizio | Reactions out of service | Réactions hors service
Reacciones fuera de servicio | Fora de serviço
- ▲ Konstruktionsgewicht ohne Transportachse | Peso della gru senza assali | Dead weight without transport axles
Poids de construction sans eissieux | Peso de la grua sin tren de transporte | Peso de grua sem carro de transporte
- Ballastgewicht | Peso zavorra rotante | Ballast weight | Poids du lest
Peso de lastre | Peso de lastre rotativo

OEKRAN K50 F

Montage | Montage | Erection | Montaggio | Montaje | Montagem



Transport | Transport | Transport | Trasporto | Transporte



V12.40 Sollevamento Hoisting Levage Heben Elevaciòn Elevaçao	m/min					 	V12.40 8.8 kW (12 Hp) 18 kVA 		
		4	15	30	55				
	t	2.0	2.0	1.1	0.6				
	m/min								
2		7.5	15	27.5					
t	4.0	4.0	2.0	1.2					
V15.45 Sollevamento Hoisting Levage Heben Elevaciòn Elevaçao	m/min						V15.45 11 kW (15 Hp) 20 kVA 		
		4	15	30	55				
	t	2.5	2.5	2.0	0.7				

Carrello Trolleying Distribuciòn			1a			
			2a	0 → 45	m/min	2.2 kW / 3 kW
			3a			
			1a			
			2a	0 → 17	m/min	3 kW
		1a				
		2a	0 → 17	m/min	3 kW	
Rotazione Slewing Orientaciòn			1a			
			2a	0 → 0.8	giri/min tr/min rp/min	2.2 kW
			3a			

Rete elettrica | Réseau | Mains supply | Netzstrom | Red | Rede electrica

400 V - 50 Hz

Potenza elettrica necessaria | Puissance électrique nécessaire | Necessary electric power
Anschlusswert | Potencia electrica necesaria

V12.40 18 kVA
V15.45 20 kVA

Conforme alla direttiva 2000/14/CE sul livello acustico
Conforme à la directive 2000/14/CE sur le niveau acoustique
In compliance with the 2000/14/CE instruction on noise level
Gemäss EWG-Richtlinie 2000/14/CE über Schall-Leistungspegel
Conforme con la directiva 2000/14/CE sobre el nivel acustico

FEM 1.001 – A3



Documento commerciale non contrattuale
Per tutte le informazioni tecniche riferirsi
alle corrispondenti istruzioni

Unverbindliches Vertriebsdokument.
Für technische Informationen, siehe die
entsprechenden Anweisungen.

This commercial document is not legally
binding. For any technical information, please
refer to the corresponding instructions.

Documento comercial no contractual
Para cualquier información técnica,
ver la noticia correspondiente.